

Standard Threaded Models Specifications

Extensive engineering and design have resulted in the highest industry standard for visual flow indicator technology.

Uncompromising levels of quality, safety and technological excellence are standard features in the complete line of L.J. Star Incorporated Standard Threaded Model visual flow indicators.

Description

All standard threaded models in the L.J. Star Incorporated line of visual flow indicators carry full ANSI rating and are available in several application-specific configurations. ANSI designed for 150# or 300# service, threaded units are available in sizes from 1/2" to 2".

Styles

Threaded units are available in five styles designed to accommodate various mounting positions, fluid characteristics, flow rates and directions:

- *Plain Style* - May be installed in any position to observe fluid flow in any direction. These style indicators are usually employed to detect either the presence or absence of solutions, or to observe fluids for turbulence, color or clarity.
- *Drip Tube Style* - This style is well suited for vertical lines with downward flow direction. These units are particularly recommended for applications characterized by low or intermittent flow rates, such as distillation processes.
- *Flapper Style* - Recommended for monitoring either horizontal or vertical lines with upward flow. The flapper position indicates current flow rate. Flapper style indicators are the appropriate choice for use with clear and semi-opaque solutions.
- *Rotator Style* - This style indicator may be installed in any position to indicate flow in any direction. The visibility of rotor motion makes this style particularly well-suited for monitoring clear, translucent or dark solutions.
- *Gaseous Style* - Your answer for monitoring horizontal or vertically upward low velocity fluid streams. The special Teflon® indicator is very sensitive to the movement of gas. This allows you to effectively detect the existence or absence of flow.



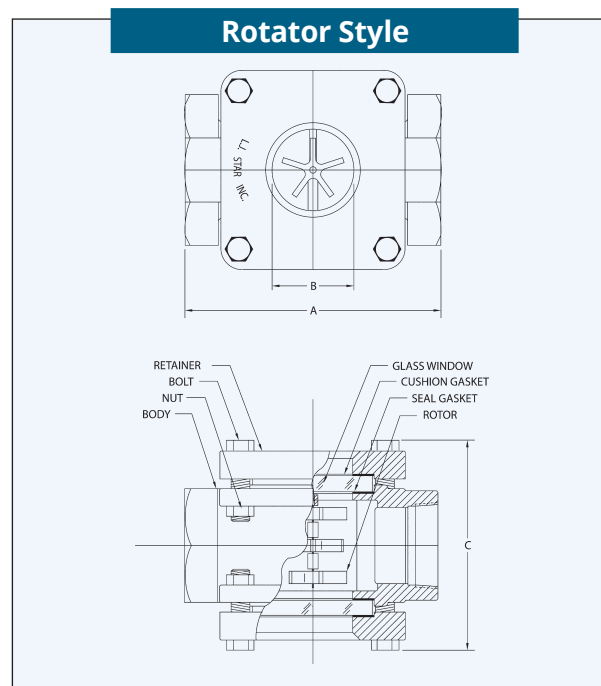
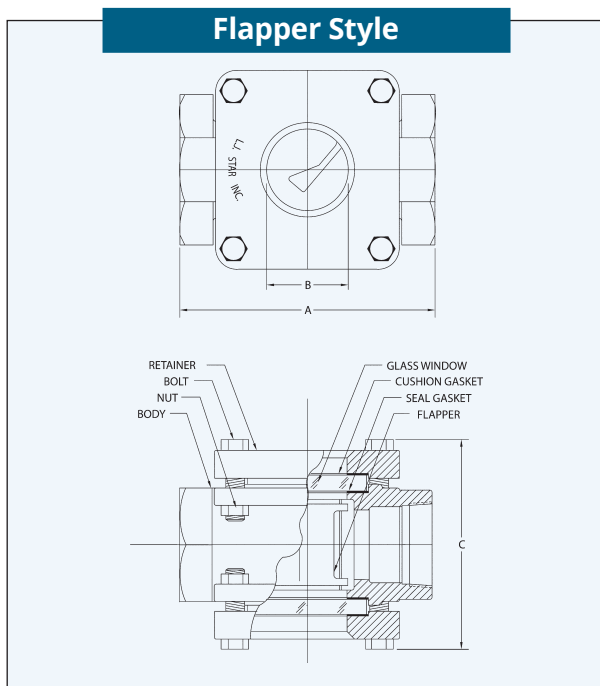
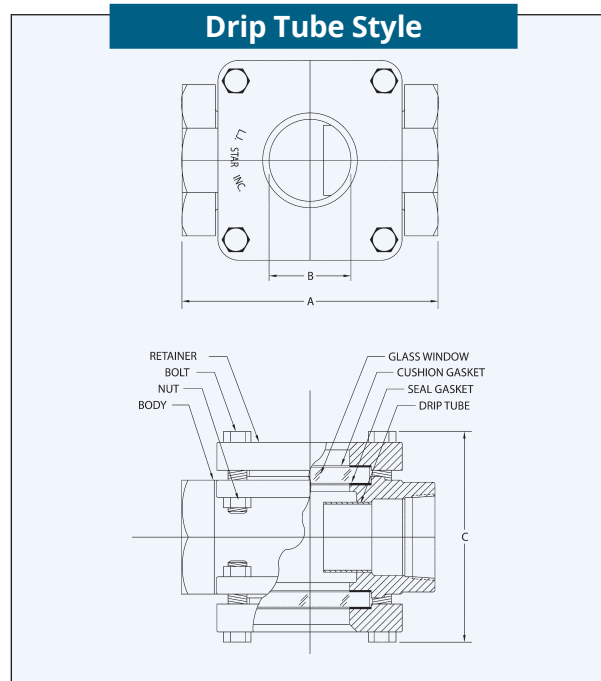
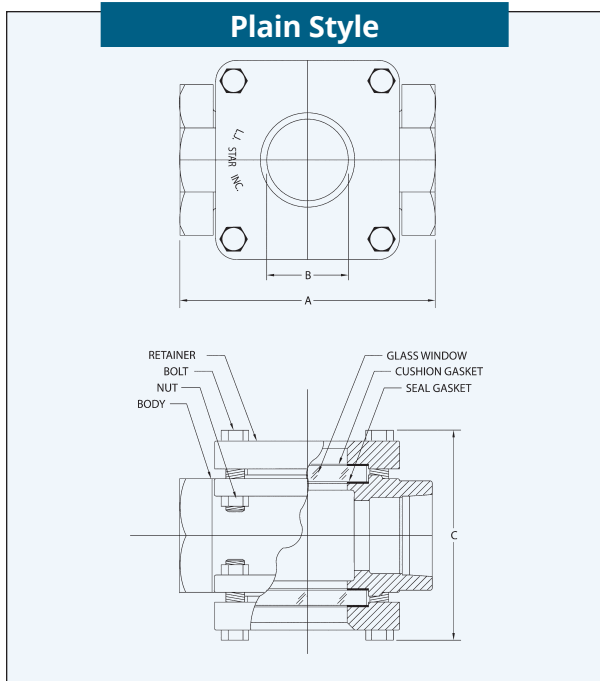
Standard Threaded Visual Flow Indicator

Materials of Construction

- *Standard alloys*
316 Stainless Steel; Carbon Steel
- *Optional alloys*
Monel®; Hastelloy®; Alloy 20
- *Standard gasket materials*
Neoprene; Gylon®
- *Optional gasket materials*
Buna N; Viton®; PTFE; silicone, graphite, and non-asbestos gaskets
- *Optional window materials*
Metaglas® Prestressed Safety Glass, Quartz

Standard Safety and Maintenance Features

- Full ANSI Class Rating
- Independently bolted glass retainers
- Tempered borosilicate glass
- Investment cast surface finish
- Acrylic enamel coating (carbon steel unit)
- Cast metal glass retainers
- Stainless steel glass retainers and Gylon® gaskets (stainless steel units)
- In-stock delivery



150 psi Standard Threaded Model

Pipe Size	Dimension			Approx. Wt. (Lbs.)
	A	B	C	
1/2"	3-3/4"	1-1/4"	3-7/8"	6
3/4"	3-3/4"	1-1/4"	3-7/8"	6
1"	4-1/4"	1-1/4"	4-1/8"	11
1-1/2"	5-1/2"	1-3/4"	5-3/8"	12
2"	6-1/4"	2"	6-1/8"	17

300 psi Standard Threaded Model

Pipe Size	Dimension			Approx. Wt. (Lbs.)
	A	B	C	
1/2"	3-3/4"	1-1/4"	4"	7
3/4"	3-3/4"	1-1/4"	4"	7
1"	4-1/4"	1-1/4"	4-1/2"	13
1-1/2"	5-1/2"	1-3/4"	5-7/8"	14
2"	6-1/4"	2"	6-3/8"	20

The specifications contained herein are subject to change without notice and any user of said specifications should verify from the manufacturer that the specifications are currently in effect. Otherwise, the manufacturer assumes no responsibility for the use of specifications which may have been changed and are no longer in effect.