

Sanitary Light with Integrated Sight Glass Adds Reliability to Critical Applications

Data Sheet 03-0030
08/11



Pressurized tanks, pipelines, mixers and other sanitary vessels are brightly illuminated by Lumiglas® Models USL 33 and USL 35 luminaires. These compact units mount directly onto virtually any vessel or pipeline to provide up to 100 watts of intense glare-free light through a Metaglas® safety glass lens. These units are rated for use in all non-hazardous areas. Lights are available with an optional internal or remote switch for momentary on/off or timer activation to maximize bulb life. For 5 years of maintenance-free operation, LED versions are available.

This design incorporates the proven MetaClamp® sanitary mounting system with its Metaglas safety glass lens into a flush, compact unit that is equally well adapted to illuminating the interior of new or existing sanitary processing equipment.

Metaglas MetaClamp sanitary safety glass lenses are the strongest and most secure glass elements available. Metaglas windows are comprised of stainless steel and borosilicate glass, fused together to create a window so uniformly compressed it tolerates both extreme pressure and temperature, serving reliability for years in applications where conventional windows fail repeatedly.

With sealed stainless steel construction, these sturdy light ports are dust and waterjet resistant to UL-1598, IP65 and NEMA 4X, during external washdown, providing safe illumination for sanitary applications. Sanitary clamp connections are available for sizes ranging from 1/2 inch to 12 inches.

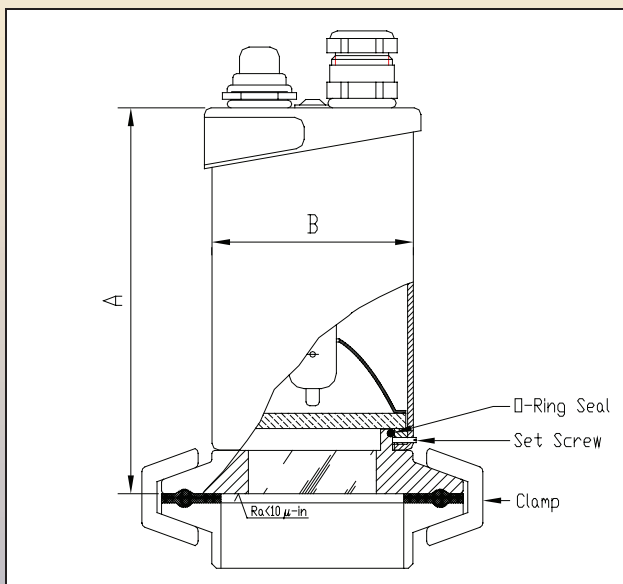
For additional information and applications assistance contact:

L.J. Star Incorporated,

P.O. Box 1116, Twinsburg, OH 44087

Phone: (330) 405-3040 • Fax: (330) 405-3070

Web Page: www.ljstar.com • e-mail: view@ljstar.com



Light Model No.	Standard Tube OD	A		B		Max. Pressure @536° F PSIG (Bar)
		inch (mm)	inch (mm)	inch (mm)	inch (mm)	
USL 33	1", 1-1/2"	5.28 (134)	2.09 (53)	2.09 (53)	2.09 (53)	230 (16)
	2"	5.28 (134)	2.09 (53)	2.09 (53)	2.09 (53)	200 (14)
USL 35	3"	5.59 (142)	2.76 (70)	2.76 (70)	2.76 (70)	150 (10)
	4"	5.59 (142)	2.76 (70)	2.76 (70)	2.76 (70)	150 (10)

