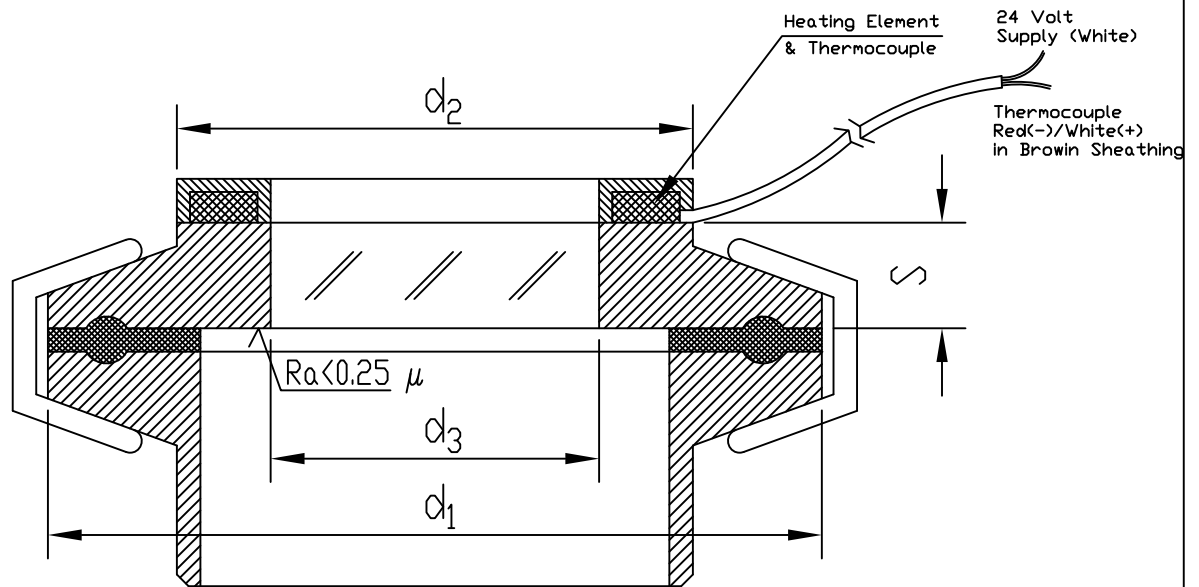


# HEATED METACLAMP<sup>®</sup> DISC

NO. 180-FF



MANUFACTURED AND TESTED IN CONFORMANCE WITH A.D. STANDARDS SERIES H.P. & A.D. STANDARD WD/ TRD 100  
 SIGHT GLASS FUSED TO METAL CONFORMING TO DIN 7079  
 GLASS: BOROSILICATE (DIN 7080)  
 RING MATERIAL: DUPLEX STAINLESS STEEL (1.4462)  
 HASTELLOY C-22, C-276, C-4  
 MAXIMUM ALLOWABLE WORKING TEMPERATURE: 536°F (280°C)

STANDARD TUBE OD	d1	d2	d3	S	MAXIMUM PRESSURE @ 450°F
	INCH (MM)	INCH (MM)	INCH (MM)	INCH (MM)	PSIG (BAR)
3"	3.58 (91)	2.99 (76)	1.57 (40)	0.39 (10)	150 (10)
3 1/2"	4.17 (106)	3.54 (90)	1.97 (50)	0.39 (10)	150 (10)
4"	4.69 (119)	4.02 (102)	2.17 (55)	0.47 (12)	150 (10)
6"	6.57 (167)	5.98 (152)	2.87 (73)	0.63 (16)	90 (6)
8"	8.56 (218)	7.80 (198)	3.94 (100)	0.63 (16)	90 (6)
10"	10.55 (268)	9.65 (245)	4.72 (120)	0.71 (18)	90 (6)
12"	12.56 (319)	11.81 (300)	5.51 (140)	0.79 (20)	90 (6)

**METAGLAS<sup>®</sup>**  
 SIGHT GLASS DISC  
 FOR SANITARY CLAMPS  
 SERIES HEATED METACLAMP



P.O. BOX 1116  
 TWINSBURG, OH 44087  
 (330)405-3040 \* FAX (330)405-3070  
 WEBSITE: WWW.LJSTAR.COM  
 E-MAIL: VIEW@LJSTAR.COM

	DATE	NAME
DES.		
CHE'D.		